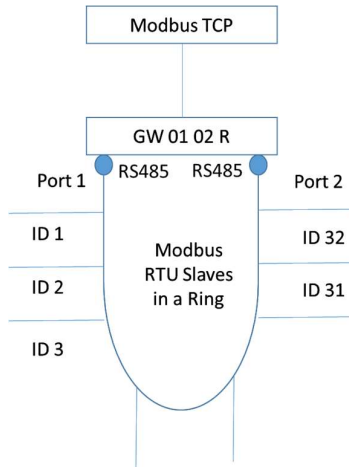


Ring Redundancy Protocol Converter : Model : GW 01 02 R



GW 01 02 R is a Ring Redundancy Protocol Converter. In a RS485 network, 32 devices can be multidropped. Since this loop can travel upto 1.2km, there are many chances that there may be a cable break rendering the communication of the later devices to stop. You end up losing critical data. Ring Redundant Gateways have 2 of RS485 ports. The redundancy scheme involves both these RS485 ports along with a specially designed software. GW 01 02 R also provides protocol translation between Serial and Ethernet devices using Modbus & Modbus TCP.

Working Explanation



GW 01 02 R consists of 2 Modbus Master working independently inside. A Ring of Modbus RTU Slaves can be formed between the 2 Master Ports of our Redundancy Gateway. Our Gateway intelligently polls all the Modbus Slaves in the ring & stores the data within itself. This data can be available to the ModbusTCP SCADA on a query. Since there are 2 Modbus Masters, even in case of loop break, because of a cable fault, the data of all the slaves is still available within the Gateway, providing the user with Redundancy of communication.

The user needs to supply us the following information:

1. Slave ID's
2. Modbus Registers details
3. To enhance the efficiency of the communication, we can rearrange the RTU data such that it can be available to the Modbus TCP in minimum queries

Features/Benefits

- GW 01 02 R has 2 RS485 ports. A Ring can be formed between these 2 ports.
- Web / CSV based configuration
- MDIX to use any Ethernet cable for commissioning & installation
- DHCP to automatically obtain IP setting from the network

Specifications

Serial ports : 2. RS-485, 2 Wire, 2 Pin Screw type terminal
Ethernet port : 1. 10/100 Ethernet port, RJ45 connector

Indications : LED's for Tx, Rx, Power

Power : 24V DC / 24V AC. Range 18-72V VDC, 100mA @ 24V DC
: 2 Pin Screw type connector.

Environmental

Operating Temp : -40°C to 75°C
Relative Humidity : 5-90% RH, non-condensing

Enclosure

Dimensions : 9.7 x 8.1 x 4.2 cm (H x D x W)
Mounting : DIN Rail

Ordering Information : GW 01 02 R